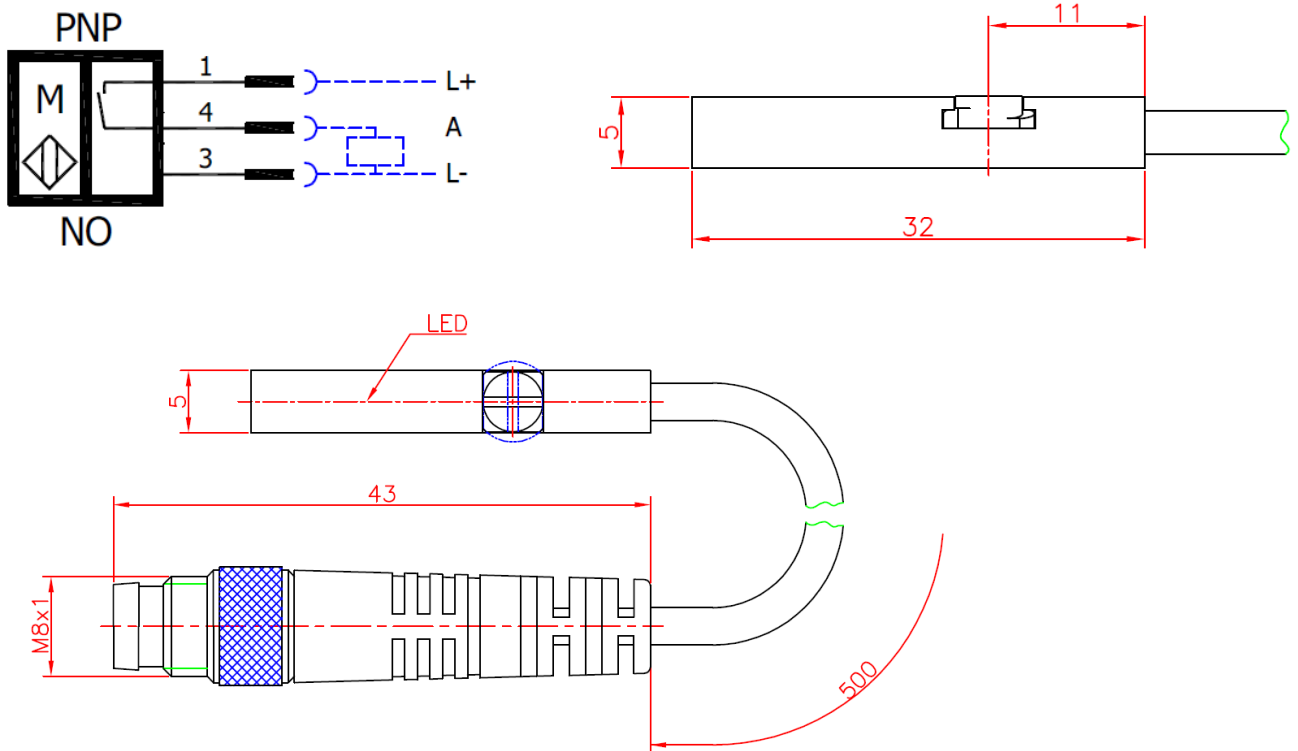


- for T-slot profile cylinder
- Electrical, DC 3-wire
- 32 x 5 x 5 mm

Output	PNP-NO
Supply voltage U_B	10...30 VDC
No-load supply current I_0	≤ 10 mA
Rated operational current I_e	max. 100 mA
Voltage drop U_d	≤ 3 V at $I_e = 100$ mA
Switching frequency f	max. 2000 Hz
Temperature range	-25 °C... +80 °C
Short circuit protection / at current	clocking / min. 130 mA
Reverse polarity protection	integrated
Switching distance S_n	depending on magnetic field
Dielectric test voltage ac (rms.) U_i	--- V
Protection class to DIN 60 529	IP 67
On/Off indication	LED
Connection	500 mm PUR-cable Plug with thread M8x1 with knurled nut
Housing material	Plastic



Applications, where personal safety depends on the function of the devices are not authorized by the manufacturer.
Technical modifications and errors excepted.